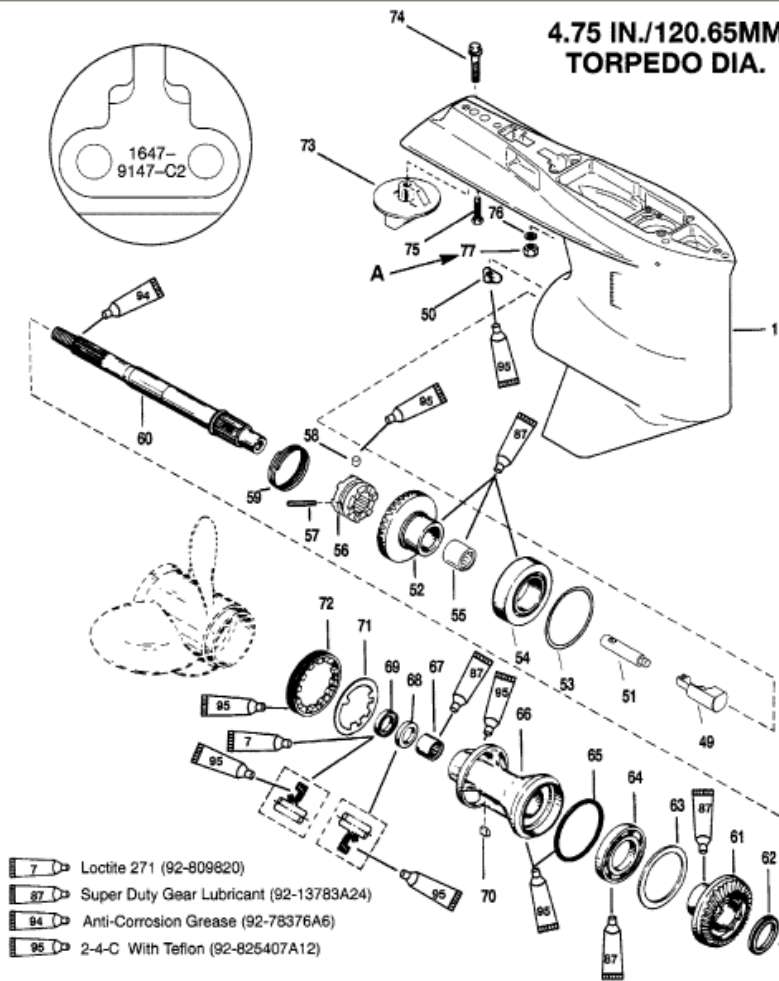


**4.75 IN./120.65MM
TORPEDO DIA.**



- Loctite 271 (92-809820)
- Super Duty Gear Lubricant (92-13783A24)
- Anti-Corrosion Grease (92-78376A6)
- 2-4-C With Teflon (92-825407A12)

A - Torque nut to 55 lb. in. (74.5 N-m)

Parts List

Ref	Class	Part	Description	Qty	Comment	Footnote
1	1647	9148793	GEAR HOUSING	1	(BLACK)(BASIC)	
49		89594A 1	CAM FOLLOWER	1		
50		78956 2	SHIFT CAM	1		
51		828287	ROD	1		
52	43	828174A 2	GEAR SET	1	(150/XR6/MAG. III/175/200)(1.87	
52	43	828176A 2	GEAR SET	1	(135)(2.0:1 - 14/28)	
53	15	44491A 1	SHIM (.006-7-9-10-20)	AR		5
54	31	30894A 1	TAPERED ROLLER BEARING	1		
55	31	30895	NEEDLE BEARING	1		
56	52	854735T	CLUTCH	1		1
57	17	30632	CROSS PIN	1		
58	17	828356	DETENT PIN	1		
59	24	30893	SPRING	1		
60	44	94148	PROPELLER SHAFT	1		
61	43	828175A 1	REVERSE GEAR	1	(150/XR6/MAG. III/175/200)(1.87	
61	43	828177A 1	REVERSE GEAR	1	(135)(2.0:1 - 14/28)	
62	23	824108	THRUST SPACER	1		
63		68100 1	THRUST RING	1		
64	30	88957	BALL BEARING	1		
65	25	31534	O-RING	1		4,9
66		43567A 1	BEARING CARRIER ASSEMBLY	1		
67	31	30956	ROLLER BEARING	1		
68	26	14077	OIL SEAL (INSIDE)	1		
69	26	76868	OIL SEAL (OUTSIDE)	1		9
70	28	30281	KEY	1		
71	14	79447	TAB WASHER	1		
72		79448	COVER	1		
73		31640 5	TRIM TAB	1		
73		76214A 5	ANODIC PLATE	1	(TRACKER/XR6/MAG III/175 /20	
74	10	806327	SCREW (7/16-14 X 1-3/4 IN.)	1		
75	10	65210	SCREW (3/8-16 X 1)	1		
76	12	45176	WASHER	2		
77	11	34933	NUT	2		
-	27	815791A92	ENGINE GASKET SET	1		
-	26	89238A 2	G/H SEAL KIT	1		